

## OVERVIEW

The SM8720AV is a clock generator IC with 3 built-in PLLs. It can simultaneously output a 27MHz master clock and three other clocks with different frequency (CLK1OUT, CLK2OUT, CLK3OUT) derived from the master clock. The 3 generated clocks can be independently turned ON/OFF using control pins and the frequency of CLK3OUT can be switched, allowing unneeded clocks within a system to be switched OFF thereby reducing current consumption. The master clock, supplied by high-stability crystal oscillator external input, allows clocks to be generated with high precision and low jitter and which require no frequency adjustment, making the SM8720AV ideal for digital still cameras and other applications which require multiple high-precision clocks.

## FEATURES

- 2.7 to 3.3V supply voltage
- 21mA typ. current consumption ( $V_{DD} = 3.0V$ , all outputs with no load)
- 27MHz master clock (external input) (internal PLL reference clock)
- Generated clocks
  - 27MHz master clock (REFOUT)
  - 22.5792MHz (CLK1OUT) (ON/OFF switching using control pin)
  - 48.0000MHz (CLK2OUT) (ON/OFF switching using control pin)
  - 36/45/48.6MHz (CLK3OUT) (ON/OFF switching using control pin, frequency switching)
- Output load
  - 25pF (REFOUT)
  - 15pF (all outputs excluding REFOUT)
- Low jitter output
  - 140ps typ. peak-to-peak (REFOUT)
  - 220ps typ. peak-to-peak (CLK1OUT, CLK3OUT)
  - 220ps typ. peak-to-peak (CLK2OUT)
- 16-pin VSOP package (Pb free)

## APPLICATIONS

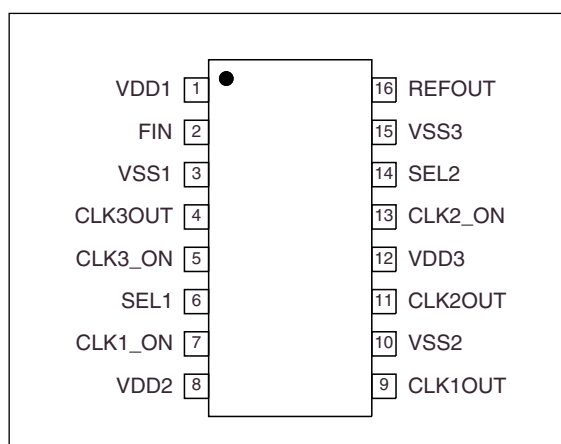
- Digital still cameras

## ORDERING INFORMATION

Device	Package
SM8720AV	16-pin VSOP

## PINOUT

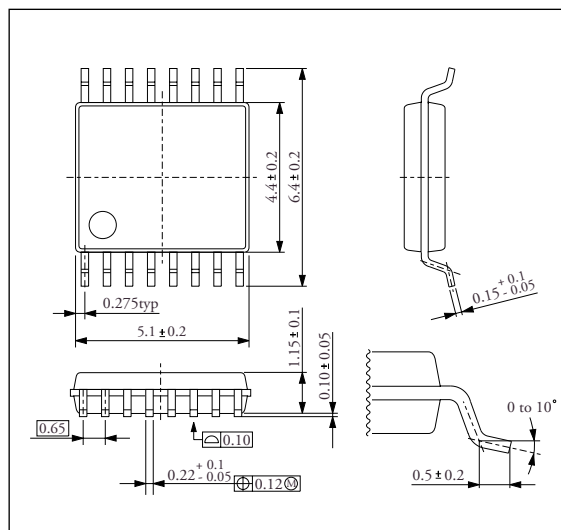
(Top view)



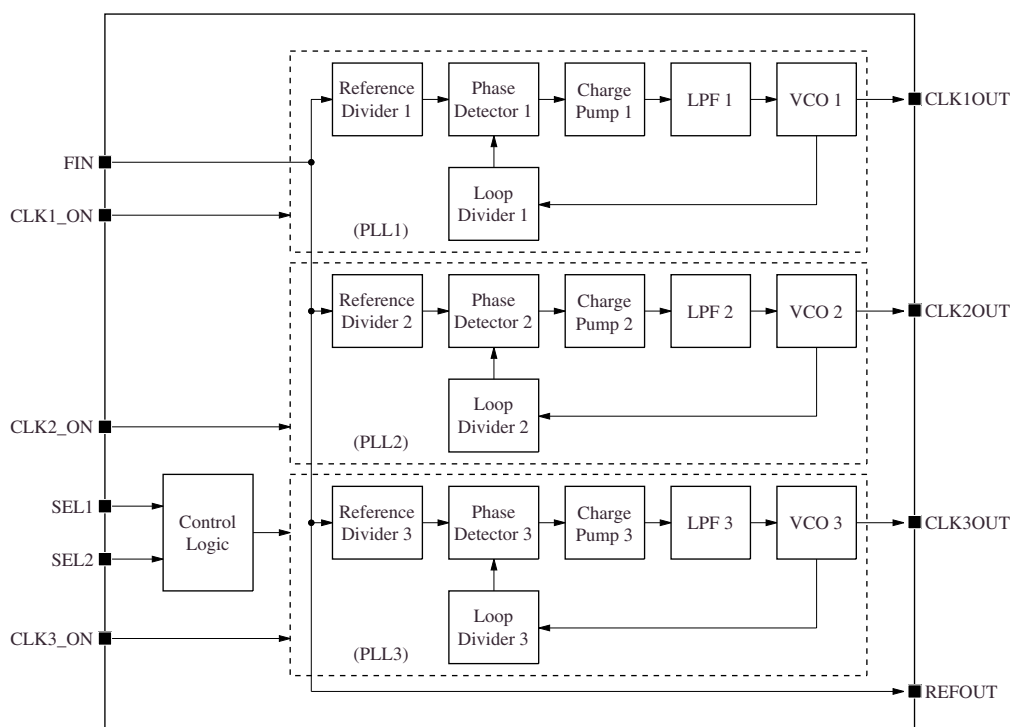
## PACKAGE DIMENSIONS

(Unit: mm)

Weight: 0.07g



## BLOCK DIAGRAM



## PIN DESCRIPTION

Number	Name	I/O	Description
1	VDD1	-	Supply voltage 1
2	FIN	I	Master clock input (27MHz constant input)
3	VSS1	-	Supply ground 1
4	CLK3OUT	O	Clock output 3 (36/45/48.6MHz switchable output)
5	CLK3_ON	I	Output clock enable 3 (HIGH = enable, LOW = disable)
6	SEL1	I	Output select 1
7	CLK1_ON	I	Output clock enable 1 (HIGH = enable, LOW = disable)
8	VDD2	-	Supply voltage 2
9	CLK1OUT	O	Clock output 1 (22.5792MHz constant output)
10	VSS2	-	Supply ground 2
11	CLK2OUT	O	Clock output 1 (48MHz constant output)
12	VDD3	-	Supply voltage 3
13	CLK2_ON	I	Output clock enable 3 (HIGH = enable, LOW = disable)
14	SEL2	I	Output select 2
15	VSS3	-	Supply ground 3
16	REFOUT	O	Master clock output (27MHz constant output)

## ABSOLUTE MAXIMUM RATINGS

$V_{DD} = (V_{DD1}, V_{DD2}, V_{DD3})$ ,  $V_{SS} = (V_{SS1}, V_{SS2}, V_{SS3})$  unless otherwise noted.

Parameter	Symbol	Rating	Unit
Supply voltage range	$V_{DD1}, V_{DD2}, V_{DD3}$	-0.3 to 6.5	V
Supply voltage deviation	$V_{DD1} - V_{DD2}, V_{DD1} - V_{DD3},$ $V_{DD2} - V_{DD3}$	±0.1	V
Input voltage range	$V_{IN}$	-0.3 to $V_{DD} + 0.3$	V
Output voltage range	$V_{OUT}$	-0.3 to $V_{DD} + 0.3$	V
Power dissipation	$P_D$	165	mW
Storage temperature range	$T_{STG}$	-55 to 125	°C

## RECOMMENDED OPERATING CONDITIONS

$V_{SS} = (V_{SS1}, V_{SS2}, V_{SS3}) = 0V$ , unless otherwise noted.

Parameter	Symbol	Conditions	Rating			Unit
			min	typ	max	
Supply voltage *1	$V_{DD1}, V_{DD2},$ $V_{DD3}$		2.7	-	3.3	V
Output load capacitance 1	$C_{L1}$	REFOUT output	-	-	25	pF
Output load capacitance 2	$C_{L2}$	CLK1OUT, CLK2OUT, CLK3OUT outputs	-	-	15	pF
Master clock frequency	$f_{FIN}$	External clock input	-	27.0000	-	MHz
Operating temperature	$T_{OPR}$		-40	-	+85	°C

\*1. The supply voltages are with reference to  $V_{SS} = 0V$ .

It is recommended that the voltages applied to pins VDD1, VDD2, VDD3 be supplied from a single source.

If various voltage sources are used on pins VDD1, VDD2, VDD3, the voltage supplies should be applied simultaneously. If the timing of applying voltage supplies varies, the device may be damaged.

## ELECTRICAL CHARACTERISTICS

### DC Characteristics

$f_{FIN} = 27.0000MHz$ ,  $V_{DD} = (V_{DD1}, V_{DD2}, V_{DD3}) = 3.0 \pm 0.3V$ ,  $V_{SS} = (V_{SS1}, V_{SS2}, V_{SS3}) = 0V$ ,  
 $T_a = -40$  to  $+85^\circ C$  unless otherwise noted.

Parameter	Symbol	Pins	Conditions	Rating			Unit
				min	typ	max	
Current consumption	$I_{DD}$	VDD	$V_{DD} = 3.0V$ , $T_a = 25^\circ C$ , all outputs operating without load	-	21	28	mA
Input voltage	$V_{IH}$	FIN, SEL1, SEL2, CLK1_ON, CLK2_ON, CLK3_ON*1,*2	$V_{DD} = 3.0V$	$0.8V_{DD}$	-	-	V
	$V_{IL}$			-	-	$0.2V_{DD}$	V
Input current	$I_{IH1}$	CLK1_ON, CLK2_ON, CLK3_ON*1	$V_{IN} = V_{DD}$	-	30	80	μA
	$I_{IL1}$		$V_{IN} = 0V$	-1	-	-	μA
	$I_{IH2}$	FIN, SEL1, SEL2*2	$V_{IN} = V_{DD}$	-	-	1	μA
	$I_{IL2}$		$V_{IN} = 0V$	-1	-	-	μA
Output voltage	$V_{OH}$	All outputs	$I_{OH} = -2mA$	$V_{DD} - 0.4$	-	-	V
	$V_{OL}$		$I_{OL} = 2mA$	-	-	0.4	V

\*1. CLK1\_ON, CLK2\_ON, CLK3\_ON pins have Schmitt-trigger inputs with internal pull-down resistance.

\*2. SEL1, SEL2 pins have Schmitt-trigger inputs.

**AC Characteristics**

$f_{FIN} = 27.0000\text{MHz}$ ,  $V_{DD} = (V_{DD1}, V_{DD2}, V_{DD3}) = 3.0 \pm 0.3\text{V}$ ,  $V_{SS} = (V_{SS1}, V_{SS2}, V_{SS3}) = 0\text{V}$ ,  
 $T_a = -40$  to  $+85^\circ\text{C}$  unless otherwise noted.

Parameter	Symbol	Pins	Conditions	Rating			Unit
				min	typ	max	
External input clock frequency	$f_{FIN}$	FIN	External clock input	–	27.0000	–	MHz
External clock duty cycle*1	$Dt_{FIN}$	FIN	$T_a = 25^\circ\text{C}$ , $V_I = 0.5V_{DD}$ , external clock input	45	50	55	%
Output clock rise time*2	$t_r$	REFOUT	$C_L = 25\text{pF}$ , $V_{OL} = 0.2V_{DD}$ to $V_{OH} = 0.8V_{DD}$ transition	–	–	3.0	ns
		All outputs excluding REFOUT	$C_L = 15\text{pF}$ , $V_{OL} = 0.2V_{DD}$ to $V_{OH} = 0.8V_{DD}$ transition	–	–	4.0	ns
Output clock fall time*2	$t_f$	REFOUT	$C_L = 25\text{pF}$ , $V_{OH} = 0.8V_{DD}$ to $V_{OL} = 0.2V_{DD}$ transition	–	–	3.0	ns
		All outputs excluding REFOUT	$C_L = 15\text{pF}$ , $V_{OH} = 0.8V_{DD}$ to $V_{OL} = 0.2V_{DD}$ transition	–	–	4.0	ns
Output clock jitter (peak-to-peak)*3,4	$t_{jitter}$	REFOUT	$T_a = 25^\circ\text{C}$ , $C_L = 25\text{pF}$ , $V_O = 0.5V_{DD}$	–	140	200	ps
		CLK1OUT, CLK3OUT	$T_a = 25^\circ\text{C}$ , $C_L = 15\text{pF}$ , $V_O = 0.5V_{DD}$	–	220	350	ps
		CLK2OUT	$T_a = 25^\circ\text{C}$ , $C_L = 15\text{pF}$ , $V_O = 0.5V_{DD}$	–	220	500	ps
Output clock duty cycle	Dt	REFOUT*2,5	$T_a = 25^\circ\text{C}$ , $C_L = 25\text{pF}$ , $V_O = 0.5V_{DD}$	45	50	55	%
		All outputs excluding REFOUT*2	$T_a = 25^\circ\text{C}$ , $C_L = 15\text{pF}$ , $V_O = 0.5V_{DD}$	45	50	55	%
Power-up time*2,6	$t_p$	All outputs excluding REFOUT		–	1	5	ms

\*1. When using an external clock input, it is recommended that FIN duty cycle = 50%, clock signal amplitude =  $V_{DD}$  level. Note that the input signal voltage amplitude should not exceed the absolute maximum rating, otherwise the device may be damaged.

\*2. Measured using the circuit shown in figure 1 on the NPC standard evaluation board.

\*3. Measured using the circuit shown in figure 2 on the NPC standard evaluation board.

\*4. Measured using master clock input on FIN with  $\leq 80\text{ps}$  (peak-to-peak) jitter.

\*5. Measured using master clock input on FIN with duty cycle = 50%, clock signal amplitude =  $V_{DD}$  level.

\*6. The power-up time is the time from supply OFF/ON transition or enable LOW/HIGH transition until each output clock reaches its designated frequency to within  $\pm 0.1\%$ .

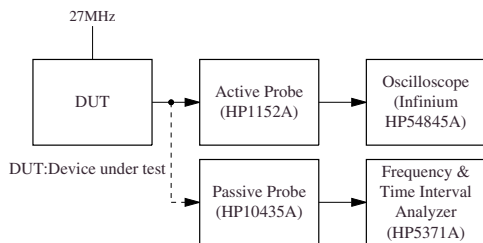


Figure 1. Measurement circuit 1

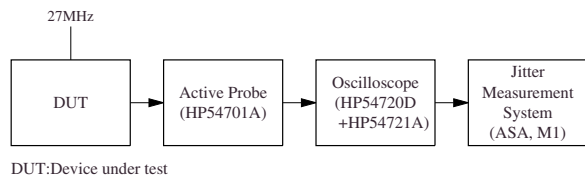


Figure 2. Measurement circuit 2

## FUNCTIONAL DESCRIPTION

### 27MHz Master Clock

The 27MHz master clock is an external clock input on pin FIN as shown in figure 3. It is recommended that the master clock have 27.0000MHz frequency, 50% duty, and  $V_{DD}$  level amplitude.

Note that the FIN input clock amplitude voltage level should not exceed the absolute maximum rating, otherwise the device may be damaged.

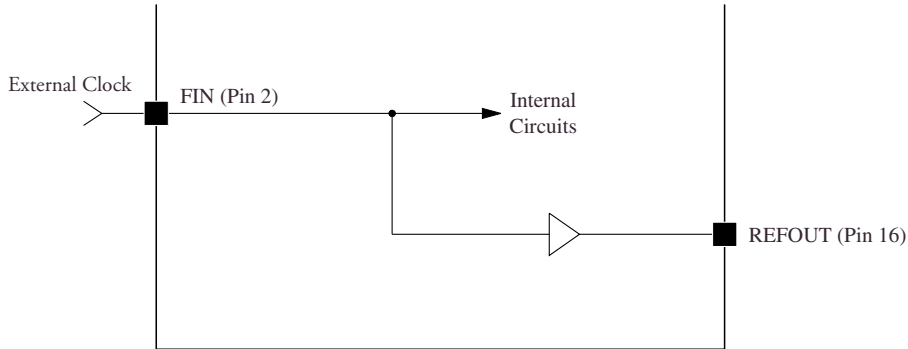


Figure 3. External clock input

### Output Clock Frequency

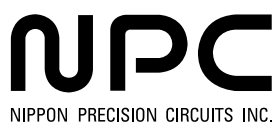
The SM8720AV generates 3 output clocks with frequency 22.5792MHz (CLK1OUT), 48MHz (CLK2OUT), and 36/45/48.6MHz (CLK3OUT), derived from the master clock. In addition, the 27MHz master clock is output on REFOUT. A list of the supported clock frequency and control settings is shown in table 1.

Table 1. Output clock frequency (27.0000MHz master clock frequency)

CLK1_ON (Pin 7)	CLK2_ON (Pin 13)	CLK3_ON (Pin 5)	Output clock frequency [MHz]					
			REFOUT (Pin 16)	CLK1OUT (Pin 9)	CLK2OUT (Pin 11)	CLK3OUT (Pin 4)		
						SEL1 = H (Pin 6) SEL2 = L (Pin 14)	SEL1 = L (Pin 6) SEL2 = L (Pin 14)	SEL1 = L (Pin 6) SEL2 = H (Pin 14)
H	H	H	27.0000	22.5792	48.0000	36.0000	45.0000	48.6000
L			27.0000	L	48.0000	36.0000	45.0000	48.6000
H	L		27.0000	22.5792	L	36.0000	45.0000	48.6000
L			27.0000	L	L	36.0000	45.0000	48.6000
H	H	L	27.0000	22.5792	48.0000	L	L	L
L			27.0000	L	48.0000	L	L	L
H	L		27.0000	22.5792	L	L	L	L
L			27.0000	L	L	L	L	L

Please pay your attention to the following points at time of using the products shown in this document.

The products shown in this document (hereinafter "Products") are not intended to be used for the apparatus that exerts harmful influence on human lives due to the defects, failure or malfunction of the Products. Customer are requested to obtain prior written agreement for such use from NIPPON PRECISION CIRCUITS INC. (hereinafter "NPC"). Customers shall be solely responsible for, and indemnify and hold NPC free and harmless from, any and all claims, damages, losses, expenses or lawsuits, due to such use without such agreement. NPC reserves the right to change the specifications of the Products in order to improve the characteristic or reliability thereof. NPC makes no claim or warranty that the contents described in this document dose not infringe any intellectual property right or other similar right owned by third parties. Therefore, NPC shall not be responsible for such problems, even if the use is in accordance with the descriptions provided in this document. Any descriptions including applications, circuits, and the parameters of the Products in this documents are for reference to use the Products, and shall not be guaranteed free from defect, inapplicability to the design for the mass-production products without further testing or modification. Customers are requested not to export or re-export, directly or indirectly, the Products to any country or any entity not in compliance with or in violation of the national export administration laws, treaties, orders and regulations. Customers are requested appropriately take steps to obtain required permissions or approvals from appropriate government agencies.



NIPPON PRECISION CIRCUITS INC.

4-3, Fukuzumi 2-chome, Koto-ku,  
Tokyo 135-8430, Japan  
Telephone: +81-3-3642-6661  
Facsimile: +81-3-3642-6698  
<http://www.npc.co.jp/>  
Email: [sales@npc.co.jp](mailto:sales@npc.co.jp)

NC0119AE 2002.07